

self-priming cast iron shallow well jet pumps



This product is Listed to UL Standards for Safety by Underwriters Laboratories Inc. (UL).



The ProJet™ SN Series Pumps provide excellent performance with good pressure for wells to 25' deep. Self-priming after the priming chamber has been filled with water.

APPLICATIONS

- Water systems and sprinkling... for homes, farms and cottages.

SPECIFICATIONS

Max. Liquid Temperature: 140°F
Max. Inlet Pressure: 50 PSI

Priming Time at 15 Feet:

SNC = 2.3; **SND** = 1.7
SNE = 1.3; **SNF** = 1.1

Priming Time at 25 Feet:

SNC = 6.4; **SND** = 4.4
SNE = 4.4; **SNF** = 2.6

(Average minutes to full prime)

Body – Close-grained cast iron

Nozzle – High strength Lexan®

Venturi – Lexan®

Impeller – Noryl®

Diffuser – Reinforced polypropylene

Shaft – One-piece threaded, 416 grade stainless steel

Base – Steel, 10 gauge

ORDERING INFORMATION

Catalog Number	HP	Switch Setting	Description	Pipe Tapping Sizes		Motor Voltage	Approx. Wt. Lbs.
				Suct.	Disch.		
SNC	1/2	30-50	Base Mounted Pump	1-1/4"	1"	115/230	45
SNC-5L Less Pressure Switch	1/2	NA	Base Mounted Pump	1-1/4"	1"	115/230	45
SNC-HF25L	1/2	20-40	Hi Flow, Base Mounted	1-1/4"	1"	115/230	45
SND	3/4	30-50	Base Mounted Pump	1-1/4"	1"	115/230	47
SNE	1	30-50	Base Mounted Pump	1-1/4"	1"	115/230	55
SNF	1-1/2	30-50	Base Mounted Pump	1-1/4"	1"	115/230	60

Lexan® and Noryl® are registered trademarks of General Electric Co. ProJet™ and PRO-Source™ are trademarks of WICOR Industries.

In order to provide the best products possible, specifications are subject to change.

PROJET™ SN SERIES

FEATURES

Quality Construction – Close-grained cast iron body. Drain port provided for easy winterizing.

Built-in Jet – High strength Lexan® nozzle and venturi for maximum resistance to corrosion and abrasion. Clean out plug provided for ease of service.

Noryl® Impeller – Precision-molded for perfect balance... ultra-smooth for highest performance and efficiency.

Precision Molded Diffuser – Pump primes faster, handles more air, with multi-port, precision-molded, reinforced polypropylene diffuser.

Mechanical Shaft Seal – Precision lapped and highly polished carbon-ceramic, stainless steel construction. Internal design guarantees continuous water lubrication.

Motor Windings – Superior insulation materials protect against excessive moisture and contaminants... assure prolonged motor life.

Balanced Rotor – Die cast under high pressures for uniform performance and greater efficiency, dynamically balanced.

Heavy-duty Ball Bearings – Shielded, permanently lubricated bearings, extensively tested to ensure extended life and smooth, quiet operation.

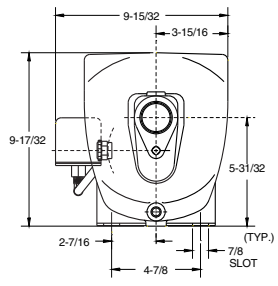
Pump and Motor Shaft – Stainless steel for maximum corrosion resistance; one-piece threaded shaft for positive impeller drive and alignment.

Dustproof Cover – All electrical components are protected from dirt, dust and insects by a dustproof canopy; ventilating air cannot contaminate vital switching components.

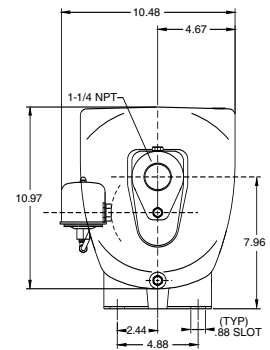
Pressure Switch – Professional quality, allows cut-in adjustments.

self-priming cast iron shallow well jet pumps

OUTLINE DIMENSIONS

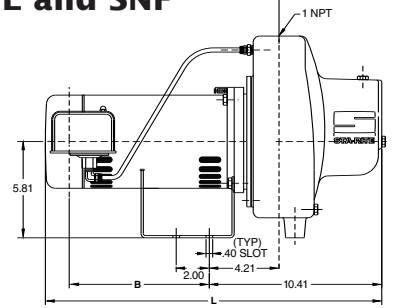
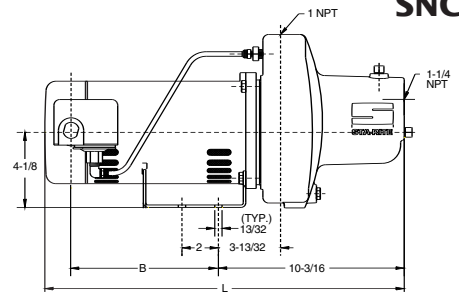


Cat. No.	L	B
SNC	19.7	8.1
SND	19.7	8.1
SNE	22.3	8.0
SNF	23.4	9.0



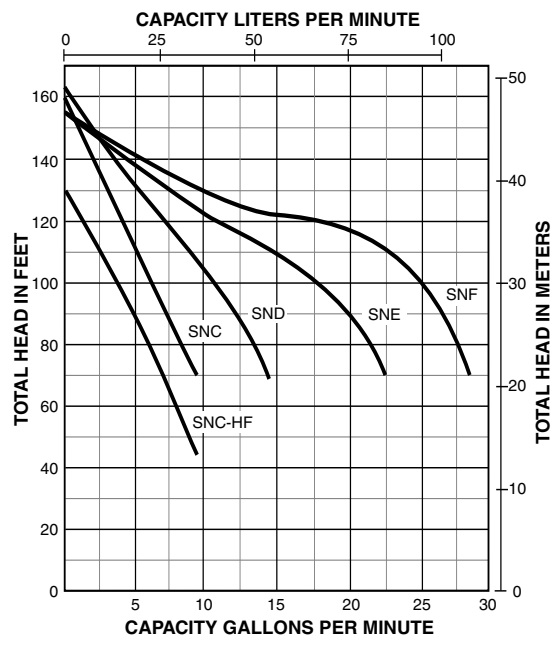
SNC and SND

SNE and SNF



Dimensions (in inches) are for estimating purposes only.

PUMP PERFORMANCE



2.31 FT. OF HEAD = 1 PSI
1 FT. OF HEAD = .433 PSI

PUMP PERFORMANCE (Capacity in Gallons Per Minute)

Catalog Number	HP	Disch. Pressure PSI	Dynamic Suction Lift					Shut Off Pressure PSI
			5'	10'	15'	20'	25'	
SNC-HF25L	1/2	20	13.7	12.3	10.6	8.8	6.3	56
		30	11.8	10.6	9.3	8.2	6.2	
		40	7.2	6.3	5.2	4.0	2.4	
SNC	1/2	30	9.7	8.3	7.4	5.9	4.3	70
		40	7.9	7.2	6.4	5.6	4.1	
		50	4.5	3.8	3.1	2.7	1.8	
SND	3/4	30	15.0	13.0	11.6	8.7	6.9	70
		40	12.5	11.4	10.1	8.2	6.8	
		50	8.0	6.8	6.1	4.8	3.5	
SNE	1	30	21.4	19.1	16.5	13.3	9.5	67
		40	20.8	18.7	15.8	13.2	9.3	
		50	13.5	11.6	10.1	7.4	2.4	
SNF	1-1/2	30	28.5	25.0	21.4	17.4	12.6	67
		40	28.3	24.4	21.0	17.2	12.3	
		50	21.5	18.3	10.9	3.1	1.6	

Pump will operate at all depths shown, with pressure switch set at 30-50 PSI.

Tested and rated in accordance with Water Systems Council Standards.

NOTE: Pumps installed with a PRO-Source™ tank require a 100 PSI relief valve. Pumps installed with a conventional tank require a 75 PSI relief valve. Relief valve must be capable of relieving entire flow of pump at relief pressure.