



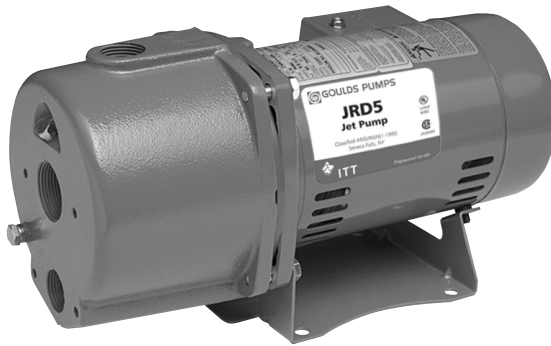
# ITT

## Residential Water Systems

# Goulds Pumps

## JRD Convertible Jet Pumps 1/2, 3/4 and 1 HP - 60 Hz

JRD5, JRD7 and JRD10



Goulds Pumps is a brand of ITT Corporation.

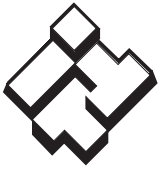
[www.goulds.com](http://www.goulds.com)

*Engineered for life*

## FEATURES

---

- **Convertible:** May be used on shallow or deep well applications using appropriate Goulds Pumps fittings.
- **Serviceable:**
  - Back pullout design allows disassembly of pump for service without disturbing piping.
  - Corrosion resistant, engineered plastic tubing and fittings are easily removed for cleaning. Premium O-ring design, fittings need only be hand tight to seal.
- **Impeller:** F.D.A. compliant, glass filled Noryl®. Corrosion and abrasion resistant.
- **Diffuser (Guidevane):** F.D.A. compliant, injection molded, food grade, glass filled Lexan® for durability and abrasion resistance.
- **Powered for Continuous Operation:** Pump ratings are within the motor manufacturer's recommended working limits. Can be operated continuously without damage.
- **Corrosion Resistant:** Electro-coat paint process is baked on.
- **Excellent Air Handling Ability:** After initial priming the pump has the ability to re-prime itself even when air enters the system. Pumping resumes once the water level rises above the foot valve.
- **Basic Pump Unit:** Includes pump and motor, pressure switch with tubing and fittings.
- Water system tank required on all systems.



# ITT

## GOULDS PUMPS Residential Water Systems

### APPLICATIONS

Specifically designed for:

- Homes
- Farms
- Cottages
- Booster service

### SPECIFICATIONS

#### Pump:

- Pipe connections:  
1" NPT discharge  
1¼" NPT suction  
1" NPT pressure.
- Pressure switch: AS4FX preset at 30-50 PSI.

#### Motor:

- Standard NEMA service factors.
- 60 Hz
- ½ – 1 HP 115/230 V capacitor start.
- Single phase.
- 3500 RPM.
- Built-in overload with automatic reset.
- Stainless steel shaft.
- Rotation: clockwise when viewed from motor end.

Maximum temperature: 140°F.

### ADDITIONAL COMPONENTS REQUIRED

- **Deep Well Package:** Choose either a twin pipe or packer style.
  - Twin pipe includes jet body, nozzle, venturi and foot valve.
  - Packer includes packer body, nozzle, venturi and built-in check valve.

**NOTE:** Packer systems also require an AWJ2 packer adapter on the wellhead.

- Deep well systems require a pressure control valve.

**NOTE:** You must have JDW or AV22KIT to make the pressure switch connection.

### AGENCY LISTINGS



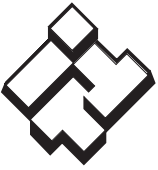
Canadian Standards Association  
LR38549

Goulds Pumps is ISO 9001 Registered.

### PERFORMANCE RATINGS – SHALLOW WELL

Require pump and shallow well package shown below.

HP/Order No.	½ HP – JRD5					¾ HP – JRD7				1 HP – JRD10				
Shallow Well Package (includes the components below)	FH5JRD					FH7				FH10				
Adapter	4K62					4K62				4K62				
Nozzle	AN018					AN018				AN018				
Venturi	AD3731					AD3536				AD3538				
Total Suction Lift (feet)	Discharge Pressure – PSI					Discharge Pressure – PSI				Discharge Pressure – PSI				
	20	30	40	50	Max. Shut-off (PSI)	30	40	50	Max. Shut-off (PSI)	30	40	50	60	Max. Shut-off (PSI)
	Gallons per minute					Gallons per minute				Gallons per minute				
5	12.3	12.0	9.0	4.0	63	19.0	16.5	10.5	69	22.0	21.0	15.0	8.0	72
10	11.0	10.8	7.6	3.0	62	16.0	14.5	9.0	67	18.5	18.0	12.5	6.5	70
15	9.2	9.0	6.5	2.5	60	13.5	13.0	7.0	65	16.0	15.5	11.0	5.0	68
20	7.6	7.5	5.5	1.5	57	12.0	11.5	5.5	63	13.3	13.0	9.0	3.0	65
25	5.7	5.5	4.0	0.6	55	9.0	8.7	4.0	60	9.6	9.0	7.0	1.5	63

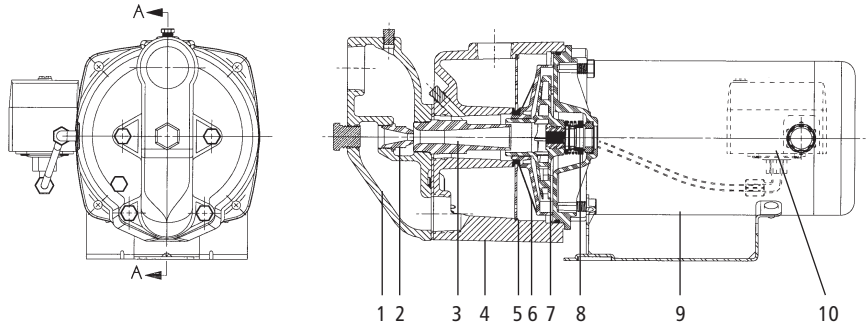


# ITT

## GOULDS PUMPS Residential Water Systems

### COMPONENTS

Item No.	Description
1	Shallow well adapter
2	Nozzle
3	Venturi
4	Cast iron casing
5	Separator plate
6	Diffuser (Guidevane)
7	Impeller
8	Mechanical seal
9	Motor
10	Pressure switch



### DIMENSIONS AND WEIGHTS – PUMP, MOTOR AND SHALLOW WELL ADAPTER

Order No.	HP	Shallow Well Adapter	(Inches)			Wt. (lbs.)
			Length	Width	Height	
JRD5	1/2	FH5JRD	19	9 1/4	8 1/2	35
JRD7	3/4	FH7	19 1/2	9 1/4	8 1/2	37
JRD10	1	FH10	20 1/2	9 1/4	8 1/2	39

(All dimensions are in inches and weights in lbs. Do not use for construction purposes.)

### TWIN PIPE PERFORMANCE RATINGS

HP/Order No.	1/2 HP – JRD5				3/4 HP – JRD7				1 HP – JRD10							
Well Casing Min. I.D. (in.)	3	4	4 1/2		4	4 1/2			4	4 1/2						
Pressure Suction	Pipe Size (in.)	3/4	1	1 1/4		1	1 1/4			1	1 1/4					
		1	1 1/4	1 1/2		1 1/4	1 1/2			1 1/4	1 1/2					
② Jet Assembly Package	FT3-09	FT4-13	FT4-31	FT4-08	FT5-14	FT4-14	FT4-34	FT4-18	FT5-47	FT5-48	FT4-44	FT4-43	FT4-18	FT5-49	FT5-11	
Jet Body (Only)	AT3	AT4		AT5	AT4		AT5	AT5		AT4		AT5				
Nozzle	AN015	AN017	AN016	AN015	AN018	AN017	AN016	AN018	AN017		AN016	AN019	AN018			
Venturi	AD722	AD726	AD723	AD720	AD724	AD729	AD725	AD722	AD730	AD725	AD730	AD727	AD722	AD732	AD727	
Control Valve Setting (PSI)	30								31	33	35	30	32			
Feet	Gallons Per Minute (GPM) 30-50 PSI Pressure Switch Setting															
Depth to Jet Assembly (Based on Submergence of 5 Feet)	30	6.4	11.7	10.0			13.3			14.3		14.5			16.3	
	40	5.7	10.7	8.0			13.2			14.2		14.3			16.3	
	50	4.3	9.3	6.8			11.3			13.0		12.3			15.3	
	60			6.2	4.7		8.8	8.0		11.5		9.8	9.5		13.0	
	70			5.0	4.2	5.0		7.0		9.8	8.3		8.0		10.8	
	80				3.3	4.3		5.7			7.3		6.3	5.3	8.7	8.8
	90				2.8	3.7		4.2	4.5		6.3			5.2		7.5
	100								3.7		5.3			4.7		6.2
	110								3.0		4.3			3.8		4.8
120															3.8	

② Jet Assembly Package includes: Jet Body, Venturi, Nozzle, Foot Valve.

**Important:** An offset of 50 feet will result in a decrease of about 25% from ratings as shown.



# ITT

## Residential Water Systems

### PACKER SYSTEM PERFORMANCE RATINGS

HP/Order No.	½ HP – JRD5			¾ HP – JRD7		1 HP – JRD10		
Well Casing	2							
Suction Pipe Size (in.)	1¼							
① Jet Assembly Package	FP2-13	FP2-31	FP2-08	FP2-40	FP2-47	FP2-48	FP2-43	
Jet Body (Only)	AP2			AP2		AP2		
Nozzle	AN017	AN016	AN015	AN015		AN016		
Venturi	AD726	AD723	AD720	AD727	AD723	AD729	AD725	
Control Valve Setting (PSI)	30			30	32	35	36	
	Feet	Gallons Per Minute (GPM) 30-50 PSI Pressure Switch Setting						
Depth to Jet Assembly (Based on Submergence of 5 Feet)	30	10.7	8.5		11.8		14.2	
	40	9.5	7.3		11.5		12.5	
	50	8.3	6.7		9.8		11.5	
	60		5.8	4.3	7.7	6.7	9.3	7.8
	70			3.8		6.0		7.7
	80			3.2		4.3		6.3
	90					3.7		4.8
	100							3.7
	110							
	120							

① Jet Assembly Package includes: Jet Body, Venturi, Nozzle, Built-in Check Valve, Leather Crimps, Spacer and Fitting.  
**Important:** An offset of 50 feet will result in a decrease of about 25% from ratings as shown.

### DIMENSIONS AND WEIGHTS – DEEP WELL PUMP AND MOTOR

Order No.	HP	Length	Width	Height	Wt. (lbs.)
JRD5	½	15¾	9¼	8	30
JRD7	¾	16¼	9¼	8	32
JRD10	1	17¼	9¼	8	34

Length is basic pump with no adapter.  
 (All dimensions are in inches and weights in lbs. Do not use for construction purposes.)



Goulds Pumps and the ITT Engineered Blocks Symbol are registered trademarks and tradenames of ITT Corporation.

Noryl and Lexan are trademarks of GE Plastic.

SPECIFICATIONS ARE SUBJECT TO CHANGE WITHOUT NOTICE.

**BJRD June, 2007**

© 2007 ITT Corporation

*Engineered for life*